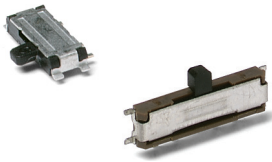


PCM Series Ultraminiature Surface Mount Slide Switches



Features/Benefits

- Ultraminiature surface mount
- Low profile
- SPDT & SP3T models
- RoHS compliant

Typical Applications

- Computer peripherals & network products
- Telecommunication products
- Test & measurement equipment

Specifications

CONTACT RATING: 0.3A @ 6 VDC.
 ELECTRICAL LIFE: 10,000 cycles.
 CONTACT RESISTANCE: 70 m Ω max.
 INSULATION RESISTANCE: 100 M Ω min. @ 500V.
 DIELECTRIC STRENGTH: 500 VAC min.
 OPERATING TEMPERATURE: -20°C to +85°C for PCM12SMTR.
 OPERATING TEMPERATURE: -10°C to +85°C for PCM13SMTR.
 SOLDERABILITY: 255C max. solder temperature.
 PACKAGING: Tape & reel.

Materials

CASE: PPA
 COVER: Stainless steel.
 SLIDER: Nylon 4/6
 BRUSH: Copper alloy silver clad.
 TERMINALS: Copper alloy, silver plated.

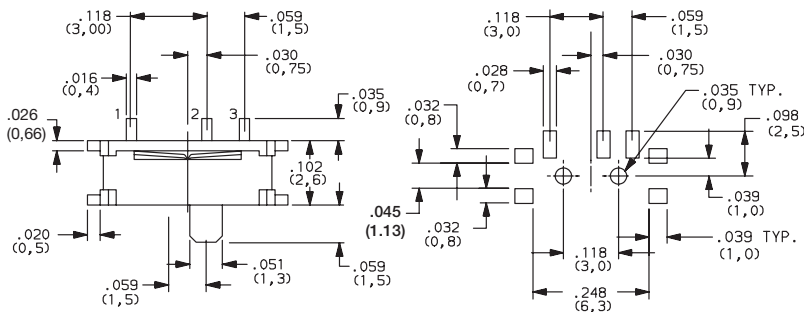
NOTE: All models RoHS compliant and compatible with all options.

NOTE: Specifications and materials listed above are for switches with standard options. For information on specific and custom switches, consult Customer Service Center.

How To Order

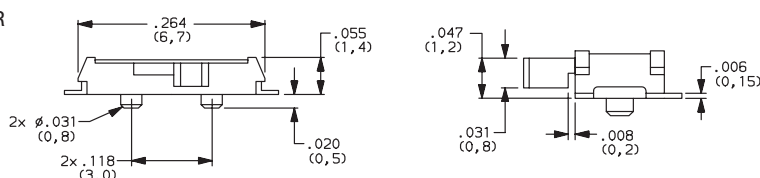
Complete part numbers for PCM Series Ultraminiature Surface Mount Slide Switches are shown below and on page I-45.

PC MOUNTING



PART NUMBER	SWITCH FUNCTION	
	POS. 1	POS. 2
PCM12SMTR	ON	ON
CONN. TERMINALS	1-2	2-3
SCHMATIC		
SPDT		

PCM12SMTR SPDT

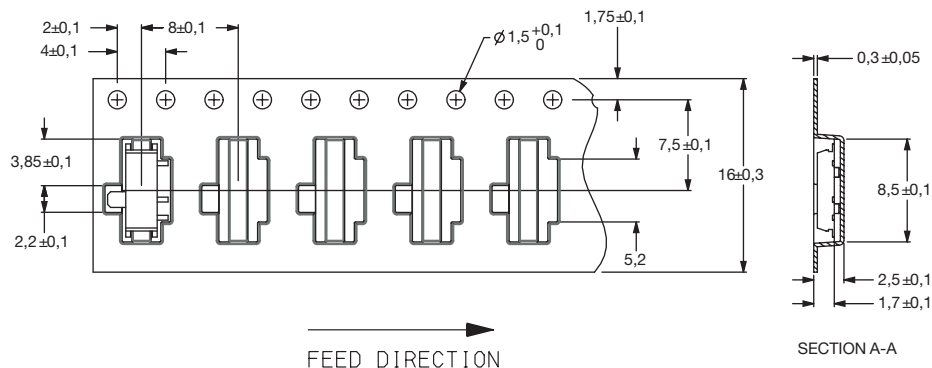


Actuator shown in pos. 2

TAPE & REEL

For part number PCM12SMTR

Quantity per reel 3500



27 Mar 20

Dimensions are shown: Inch (mm)
 Specifications and dimensions subject to change

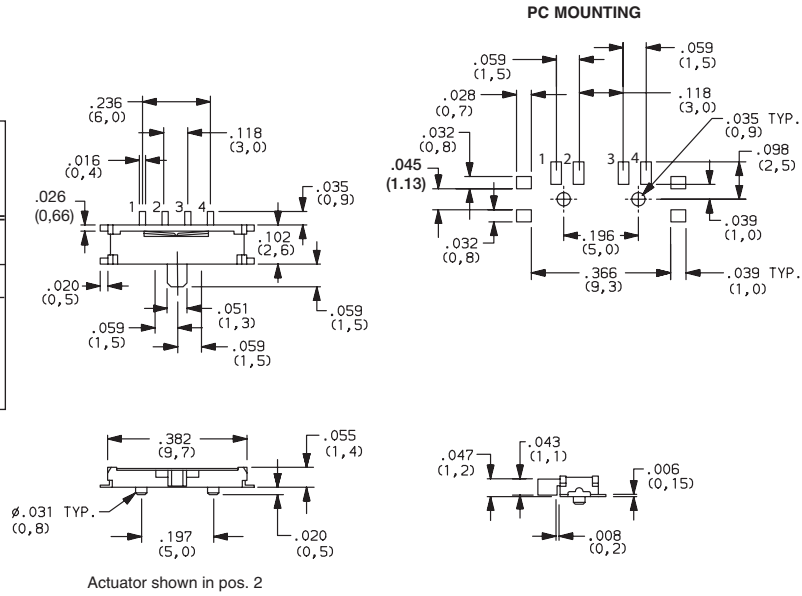
Slide

PCM Series Ultraminiature Surface Mount Slide Switches



PCM13SMTR
SP3T

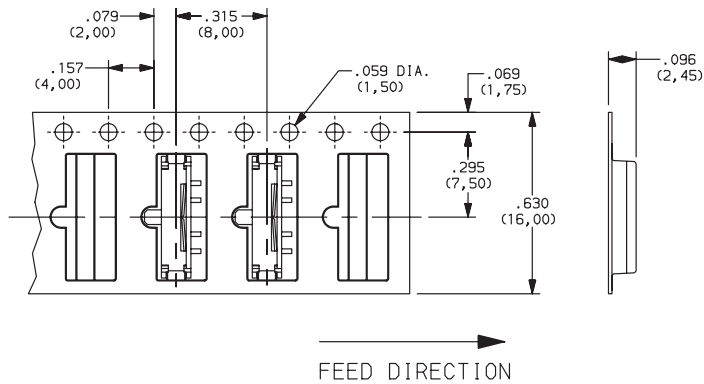
PART NUMBER	SWITCH FUNCTION		
	POS. 1	POS. 2	POS. 3
PCM13SMTR	ON	ON	ON
CONN. TERMINALS	1-3	2-3	3-4
SCHMATIC			
SP3T			



TAPE & REEL

For part number PCM13SMTR

Quantity per reel 3500



Third Angle Projection
Dimensions are shown: Inches (mm)
Specifications and dimensions subject to change



27 Mar 20